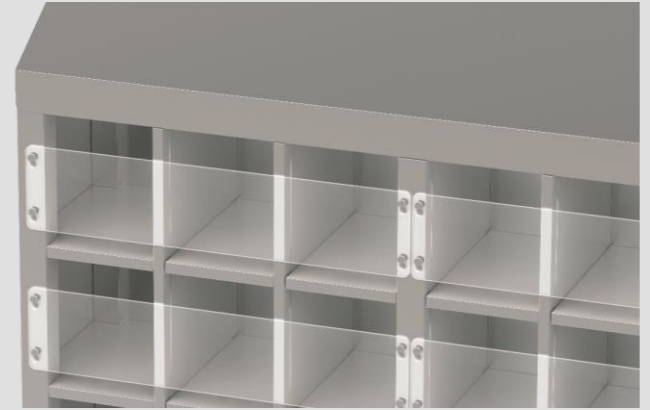
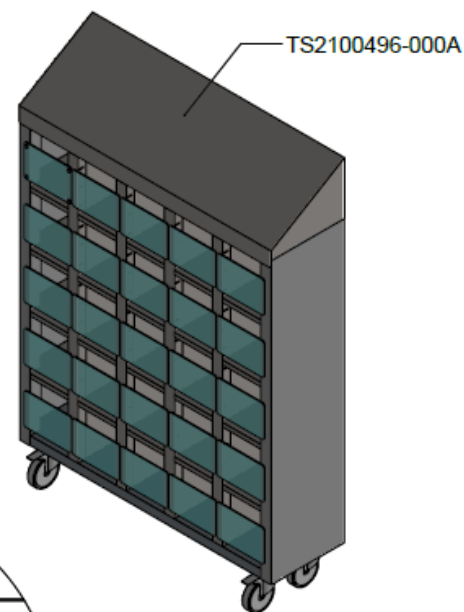
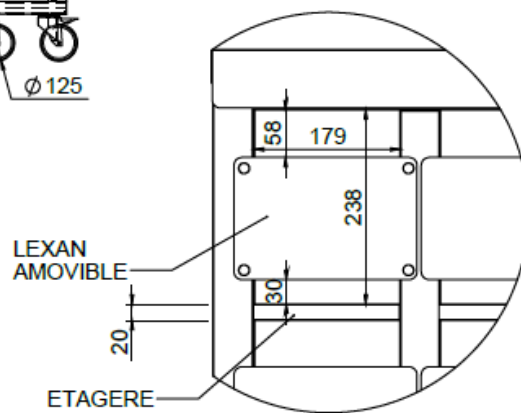
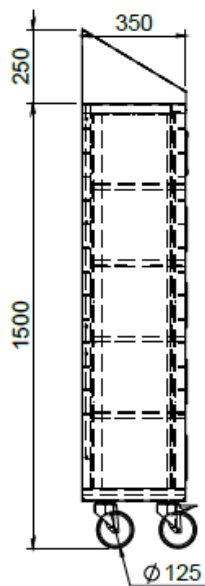
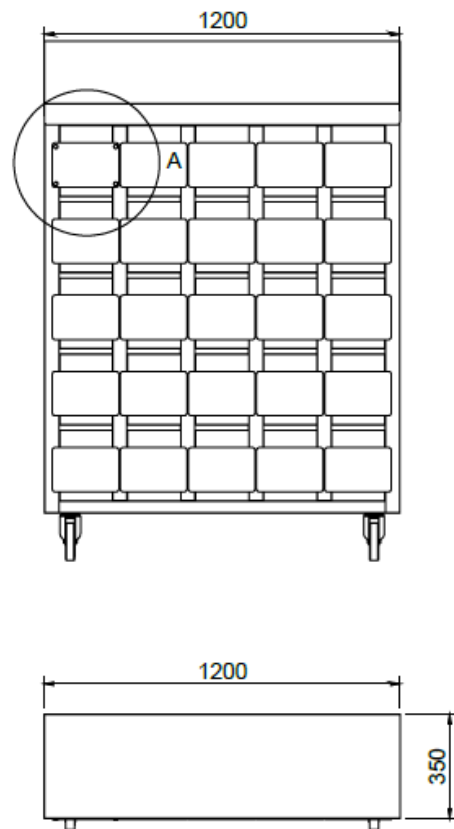


OPEN CONSUMABLES CABINET WITH LEXAN  
PANELS, 5 COLUMNS OF 5 COMPARTMENTS  
EACH, ON CASTORS, DIM. 1200X350X1500Hmm



Made of AISI 304 18/10 Ni-Cr stainless steel with Scotch Brite finish. Each compartment is complete with transparent polycarbonate panel. On 4 swivel castors Ø125mm, with stainless steel support, two with brake, the rear ones are fixed to prevent tilting.



DETTAGLIO A  
SCALA 1 : 8



Tolleranze generali dimensioni:	UNI ISO 2768-mK		Scala:	1:22	Peso:	148,818 kg
			Materiale:			
			Sviluppo:		x x	
			Trattamento:			
			Cliente:			

Serie:	Codice articolo:	Codice cliente:
Descrizione: ARMADIO PER CONSUMABILI A GIORNO C/PANNELLI IN LEXAN, 5 COLONNE DA 5 VANI CAD, SU RUOTE, DIM. 1200X350X1500Hmm		Codice: <b>TS21000494-000B</b>