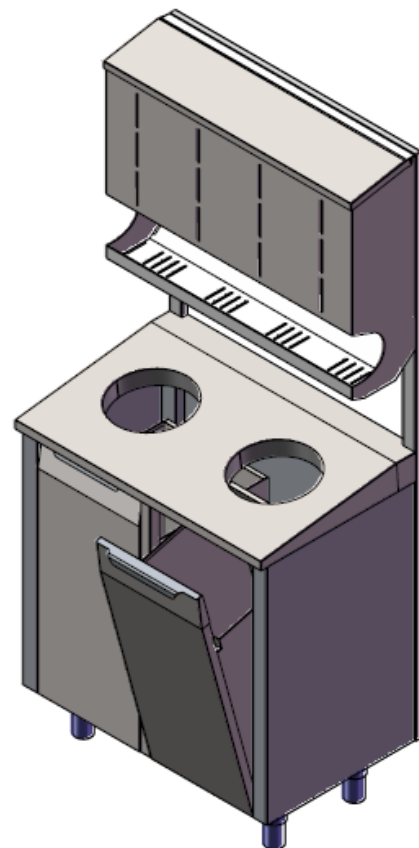
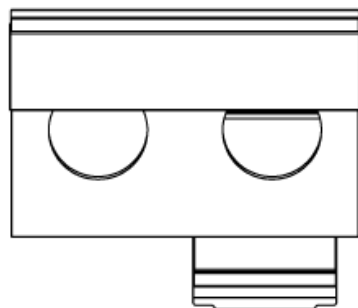
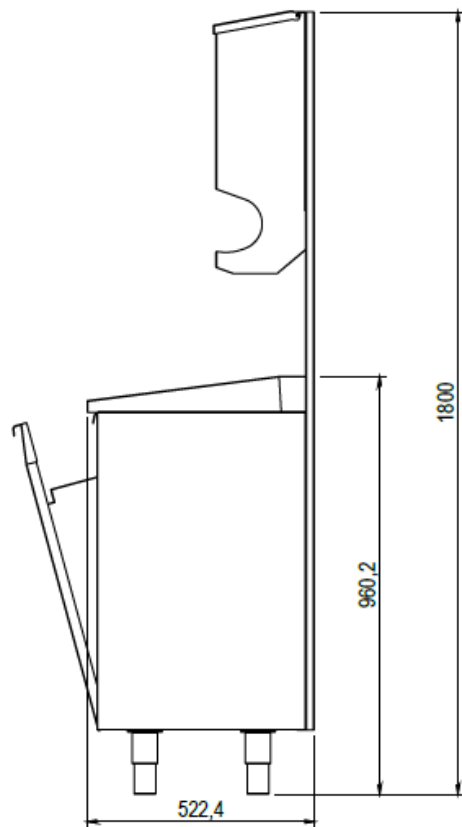


DOUBLE COMPOSITION WITH 4-COMPARTMENT DISPENSER WITH STAINLESS STEEL LID AT THE TOP AND CABINET WITH 2 VASISTAS DOORS, 800X520X1800Hmm



Composition with square tube frame mm40x40x1.00 in AISI 304 stainless steel, Scotch Brite finish. In the upper part, a 4-compartment dispenser with inclined and hinged stainless steel lid with upward opening. Opening on the front panel for visual inspection of the amount of consumable available (T57002004). At the bottom, a cabinet with 2 holes on the top for the collection of used consumable. Vasistas doors complete with internal basket at each hole for collecting used consumable. Adjustable feet, the rear ones advances 80mm for rounded floor corner. (T57601004).



Tolleranze generali: dimensioni:	UNI ISO 2768-mk		Scala:	1:15	Peso:	68,989 kg
			Materiale:			
			Sviluppo:		x x	
			Cliente:			
			Treatmento:			

Serie:	Codice articolo:	Codice cliente:
Descrizione: COMPOSIZIONE DOPPIA CON DISPENSER CONSUMABILI (4 VANI) E MOBILE CON 2 ANTE VASISTAS. COMPOSIZIONE CON STRUTTURA IN TUBO E DISTRIBUTORI E 4 VANI CON VASISTAS E 2 ANTE VASISTAS PARTE SUPERIORE. 800X520X1800H		Codice: <b>TSST000022-006A</b> Rev.