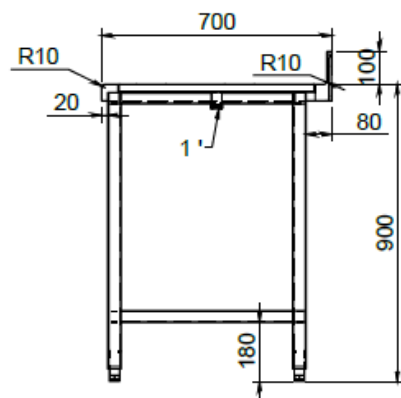


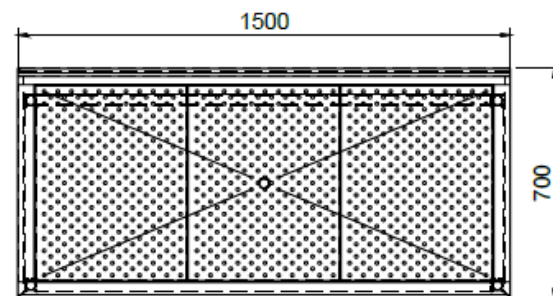
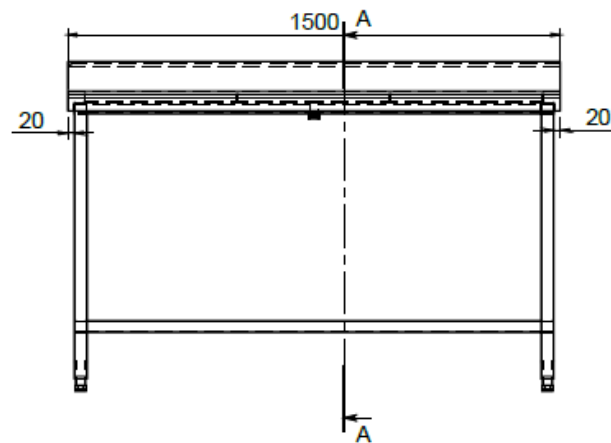
AUTOPSY WORKING TABLE WITH REAR UPSTAND, DIM. 1500X800X900Hmm



Frame structure in stainless steel AISI 304 fully welded 40x40mm tube, 1.00mm thick, rear legs 80mm advanced, suitable for rounded floor corner. Rear and side welded reinforcement rails. Perforated working top in AISI 304 sheet, 1.50mm thick, holes diameter 9mm. Basin with 50mm perimeter containment edge. Rounded (R=10mm) front edge, as well as rounded (R=2mm) side and back edges. With rear stainless steel upstand H=100mm, welded and closed on the back, and with R=10mm rounded lower edge. PVC siphon, drain and stainless steel overflow included. Basin dim. 1400x700mm. On adjustable feet.



SEZIONE A-A



2					
1					
A	25/01/2023				PRIMA EMISSIONE
REV	Disegnato:	Data emissione:	Approvato:	Data ultimo agg.:	Descrizione:

Note:



Tolleranze generali dimensioni:	UNI ISO 2768-mK		Scala:	1:20	Peso:	42,354 kg
			Materiale:			
			Sviluppo:		x x	
			Cliente:			
			Trattamento:			

Serie:	OSPEDALE	Codice articolo:		Codice cliente:	
Descrizione:	TAVOLO DA LAVORO AUTOPTICO SU GAMBE CON SPONDA POSTERIORE DIM. 1500X700X900Hmm			Codice:	TS23000052-000A
				Rev.	