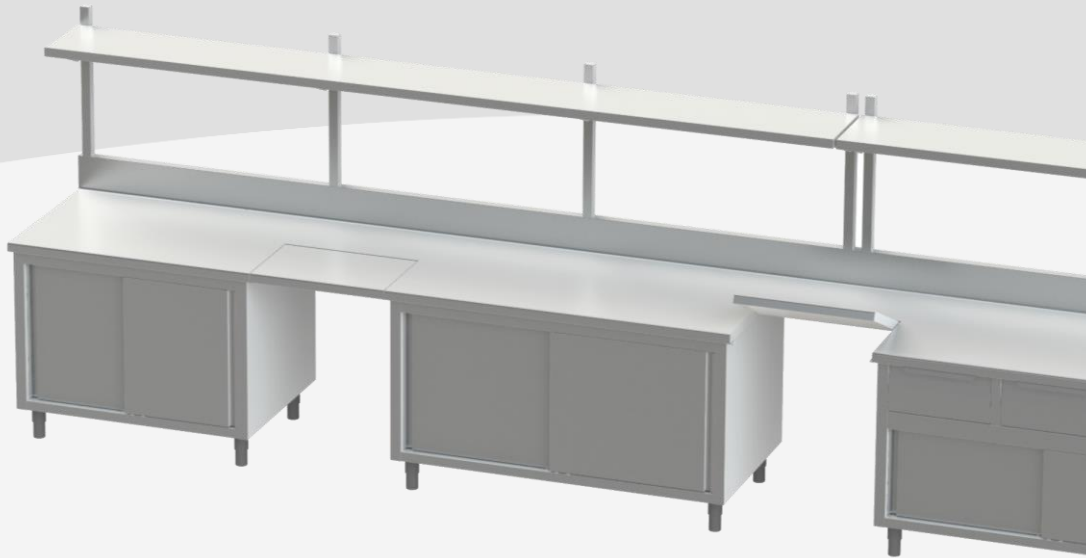


STAINLESS STEEL WORKBENCH WITH UPPER SHELF AND 4 WORKSTATIONS, 3 OF THEM WITH ELEVATING INSERTION, DIM. 7000x800x1700Hmm



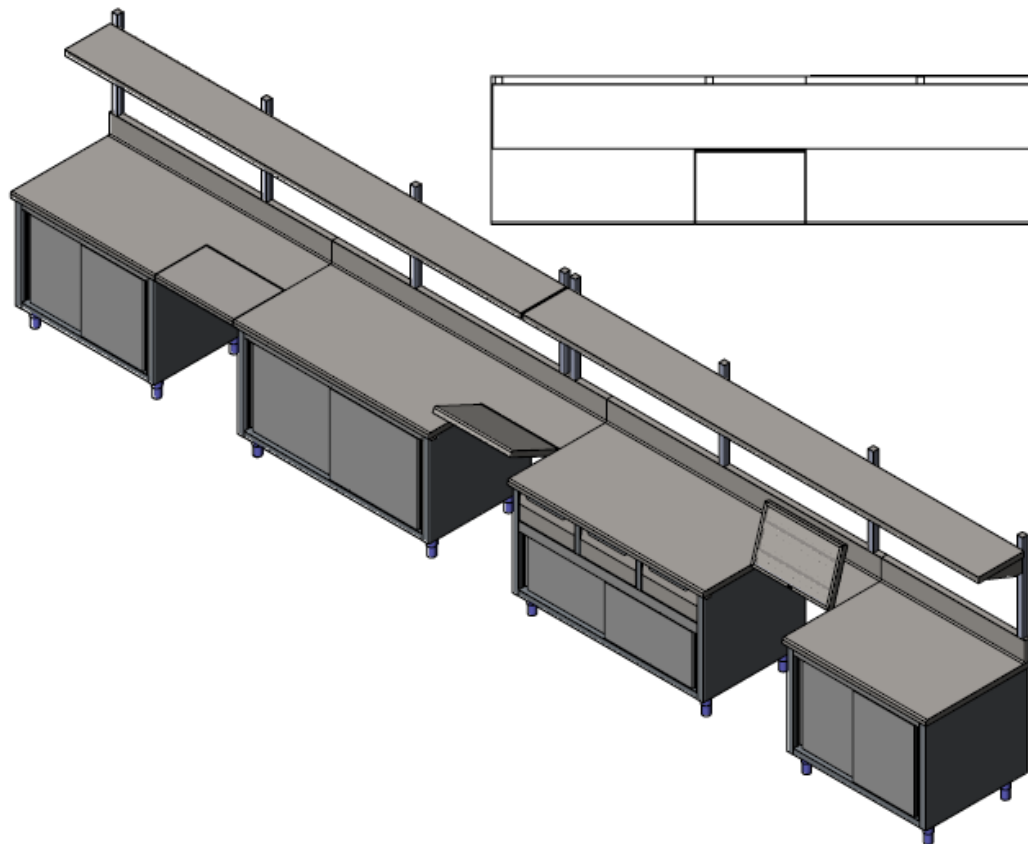
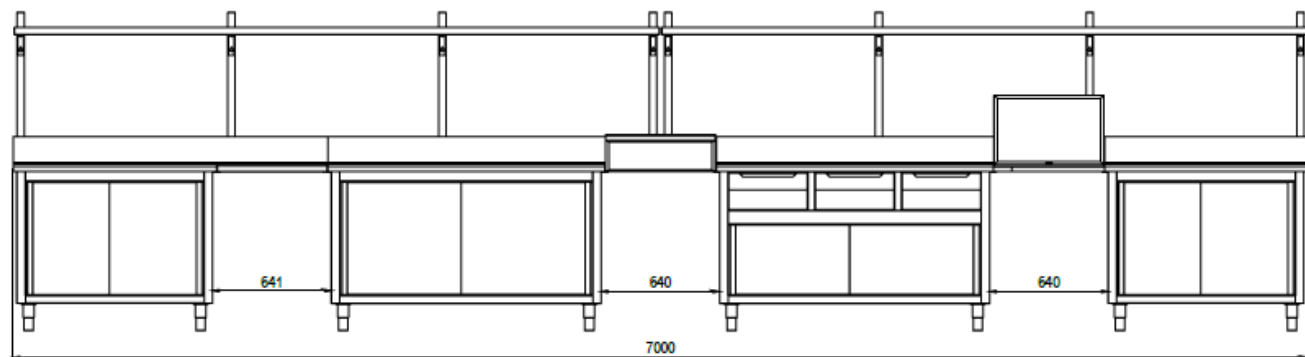
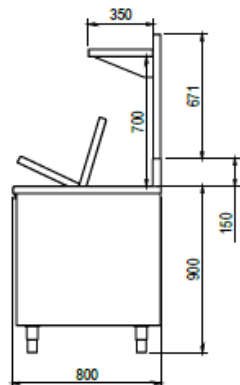
Made of AISI 304 18/10 Ni-Cr stainless steel with Scotch Brite finish.

From left to right:

- Mobile unit with 2 sliding doors L=1060mm;
- L=600mm free compartment;
- Mobile unit with 2 sliding doors L=1460mm;
- 600mm free compartment;
- workbench L=1460mm with 3 drawers mounted on stainless steel guides in horizontal sequence at the top and no. 2 sliding doors below;
- 600mm free compartment;
- Workbench with 2 sliding doors L=1060mm;

Working top in AISI 304 sheet, 1.20mm thick, with inner plywood reinforcement and stainless steel lower cover. Rounded (R=10mm) front upper edge, as well as rounded (R=2mm) side and back edges. It is composed of 4 pieces that will be assembled together. Where there are the free compartments there are elevating insertions dim. 600x400mm to make it easier for the operator to place the boxes on the upper shelf. Rear upstand H=100mm, closed on the back.

The upper shelf, 350mm deep, is made in 2 pieces and it is positioned at 700mm from the work top. The finished bench is complete with No. 16 stainless steel adjustable feet, the rear ones advanced 80mm for rounded floor corner.



Tolleranza generali (dimensioni)	UNI ISO 2768-mK		Scala:	1:25	Peso:	509,376 kg
			Materiale:			
			Sviluppo:	x x		
			Trattamento:			

Serie:	Codice articolo:	Codice cliente:
Descrizione: BANCO DA LAVORO SPECIALE A PARETE 7000X800X1700H		Codice: TS15000354-000A Rev.